

The Data Book Project

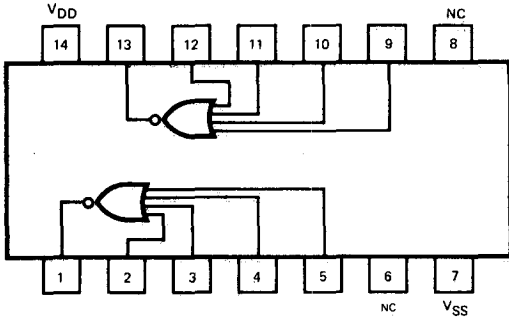
DatasheetArchive.com has launched an ambitious effort to digitize thousands of obsolete data books and technical manuals, making them searchable via the DatasheetArchive website.

Scroll down to see the scanned document.

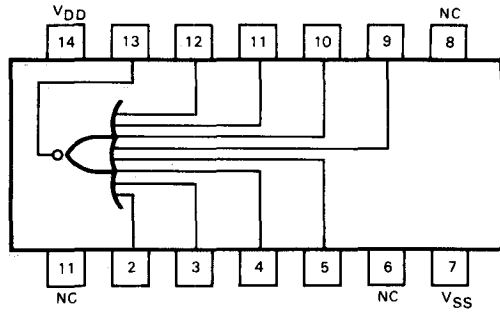
FAIRCHILD LOGIC/CONNECTION DIAGRAMS

DIGITAL-CMOS

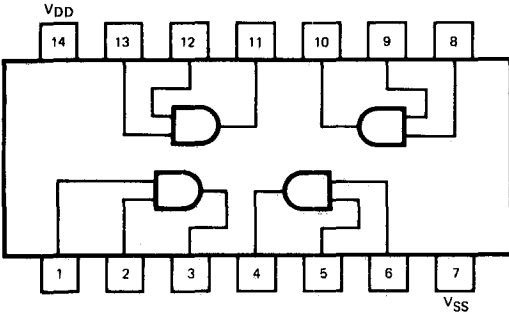
C7
4002B



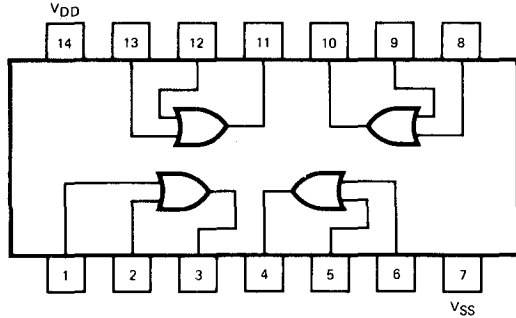
C8
4078B



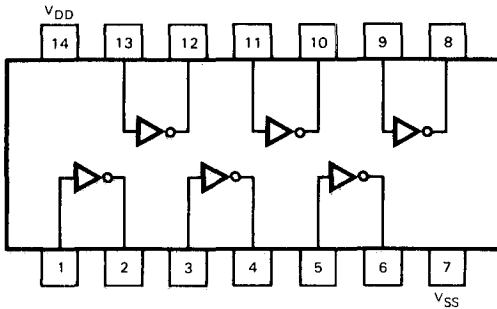
C9
4081B



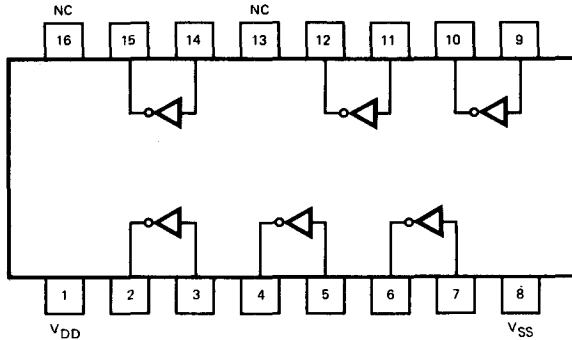
C10
4071B



C11
4069B, 40014B



C12
4049B



NOTE: The Flatpak versions have the same pinouts (Connection Diagram) as the Dual In-Line Packages.

FAIRCHILD DIGITAL

CMOS

SSI FUNCTIONS (Cont'd)

Item	Function	DEVICE NO.	Logic/Connection Diagram	Package(s)
NOR Gates				
1	Quad 2-Input NOR	4001B	C5	3I,6A,9A
2	Triple 3-Input NOR	4025B	C6	3I,6A,9A
3	Dual 4-Input NOR	4002B	C7	3I,6A,9A
4	8-Input NOR	4078B	C8	3I,6A,9A
AND Gates				
5	Quad 2-Input AND	4081B	C9	3I,6A,9A
6	Triple 3-Input AND	4073B	C87	3I,6A,9A
7	Dual 4-Input AND	4082B	C88	3I,6A,9A
OR Gates				
8	Quad 2-Input OR	4071B	C10	3I,6A,9A
9	Dual 4-Input OR	4072B	C85	3I,6A,9A
10	Triple 3-Input OR	4075B	C86	3I,6A,9A
Inverters and Buffers				
11	Hex Inverter	4069UB	C11	3I,6A,9A
12	Hex Inverting Buffer	4049B	C12	4L,6B,9B
13	Hex Non-Inverting Buffer	4050B	C13	4L,6B,9B
14	3-State Hex Inverting Buffer	40098B	C14	4L,6B,9B
15	3-State Hex Non-Inverting Buffer	40097B	C15	4L,6B,9B
16	Quad True/Complement Buffer	4041B	C81	3I,6A,9A
Complex Gates				
17	Quad Exclusive OR	4030B	C16	3I,6A,9A
18	Quad Exclusive OR	4070B	C16	3I,6A,9A
19	Quad Exclusive NOR	4077B	C17	3I,6A,9A
20	Dual 2-Wide, 2-Input AND-OR-Invert	4085B	C18	3I,6A,9A
21	4-Wide, 2-Input AND-OR-Invert	4086B	C19	3I,6A,9A
22	Dual Complementary Pair Plus Inverter	4007UB	C20	3I,6A,9A
Schmitt Triggers				
23	Quad 2-Input NAND Schmitt Trigger	4093B	C82	3I,6A,9A
24	Dual Schmitt Trigger	4583B	C83	4L,6B,9B
25	Hex Schmitt Trigger	40014B	C84	3I,6A,9A